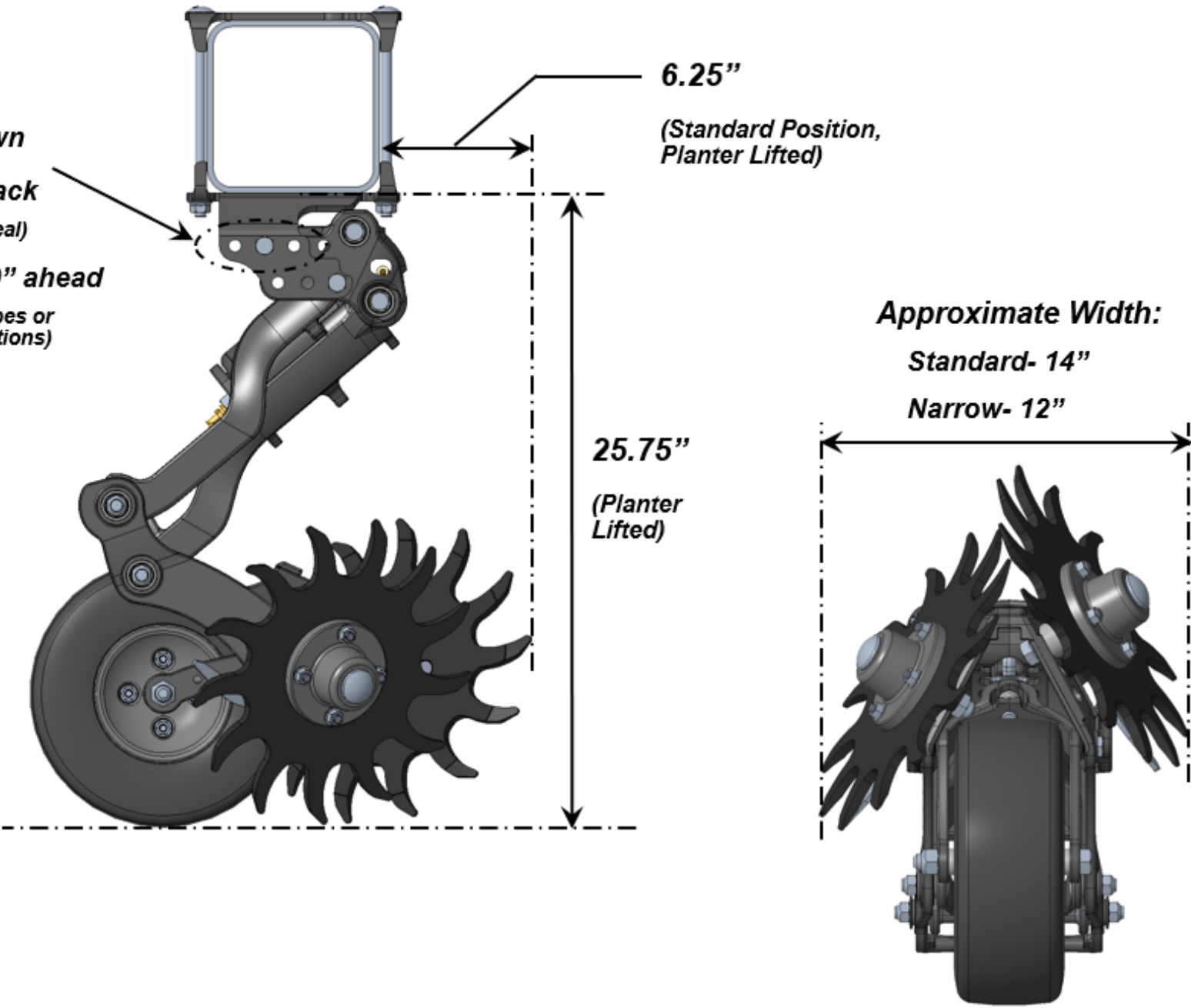


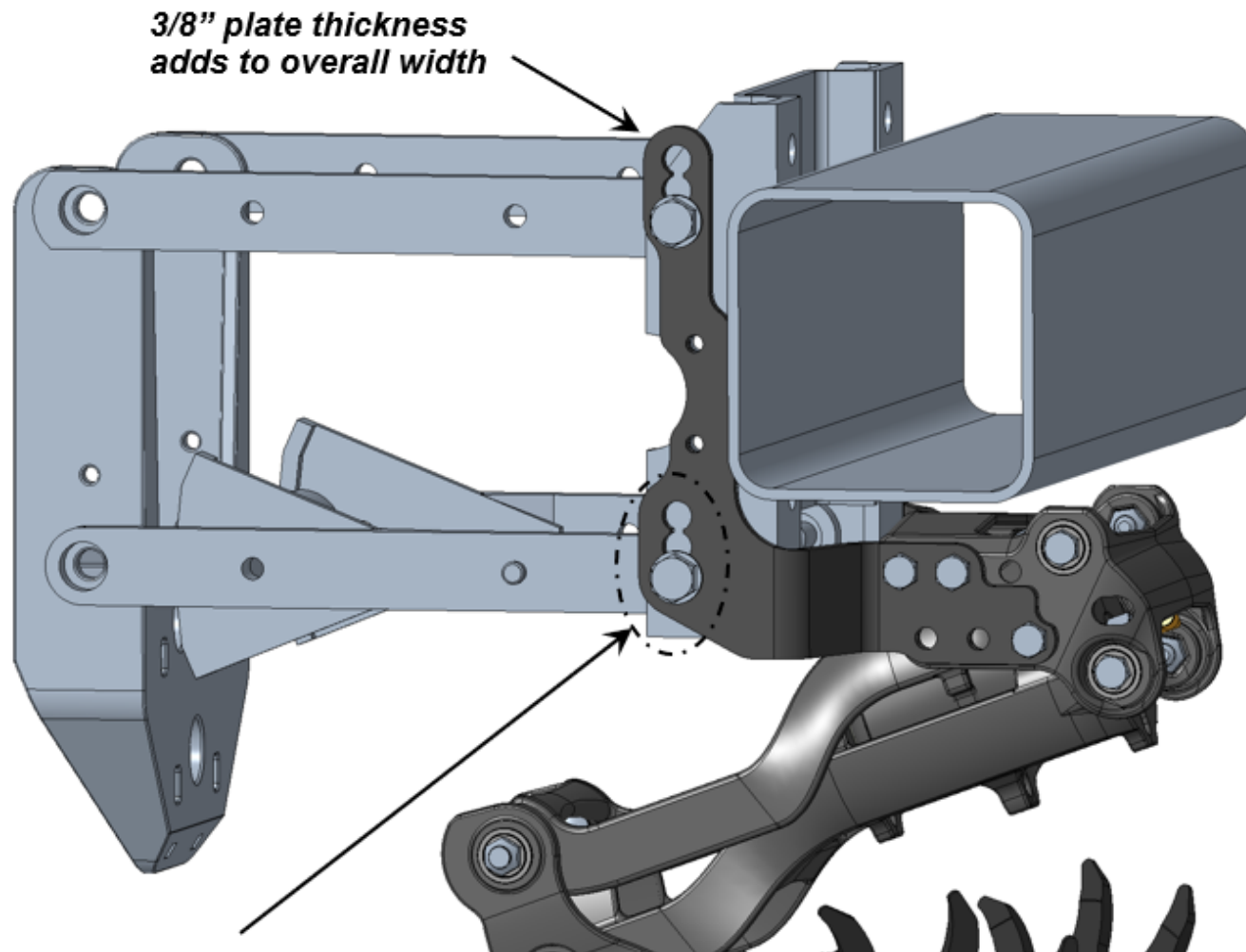
# Reveal Dimensional Specifications:

- **Standard Position Shown**
- **Rear Position: 1.200" back**  
*(Not compatible with Conceal)*
- **Forward Position: 1.200" ahead**  
*(May interfere with draft tubes or wing tires on some installations)*



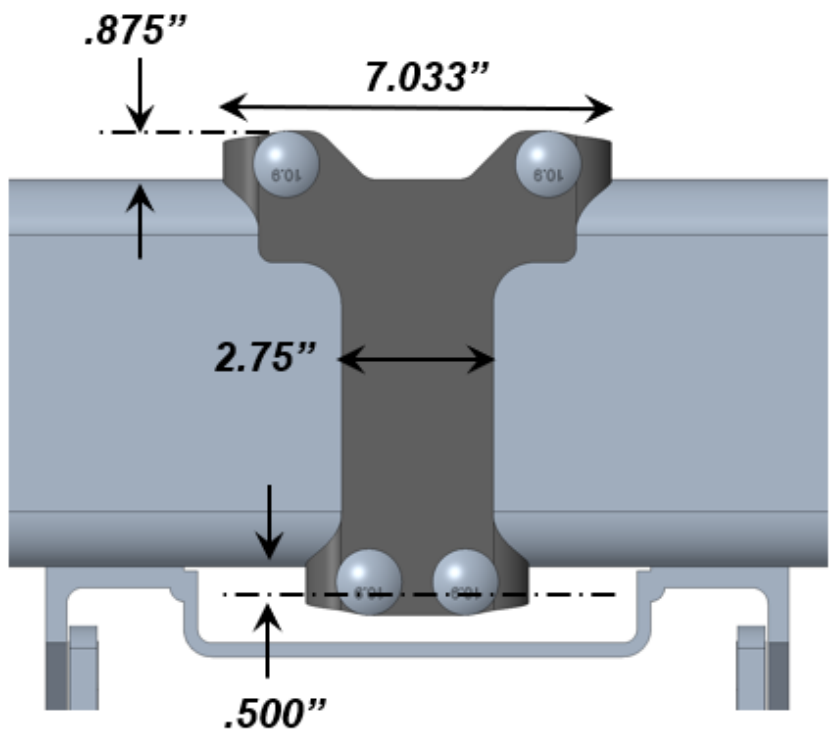
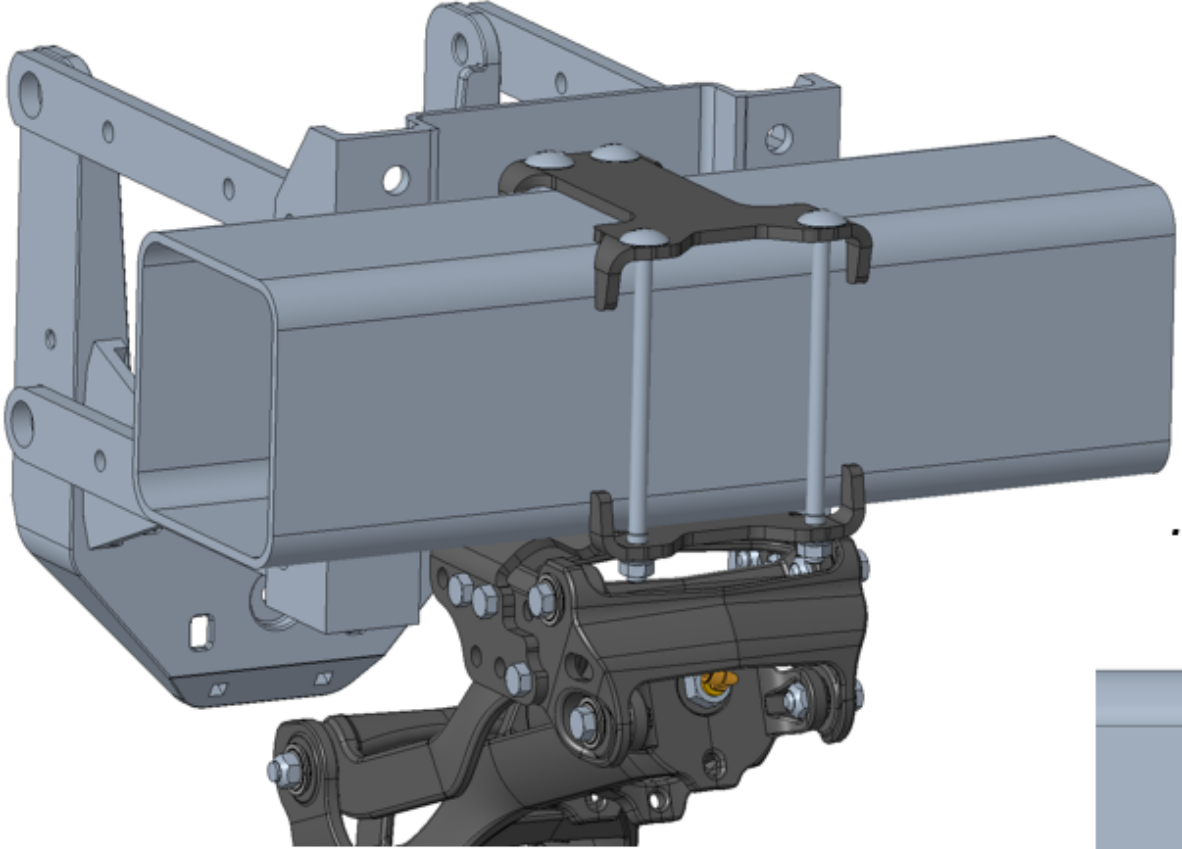
# Reveal Parallel-Arm Mount Kits:

(757050, 757053, 757056, 757082)



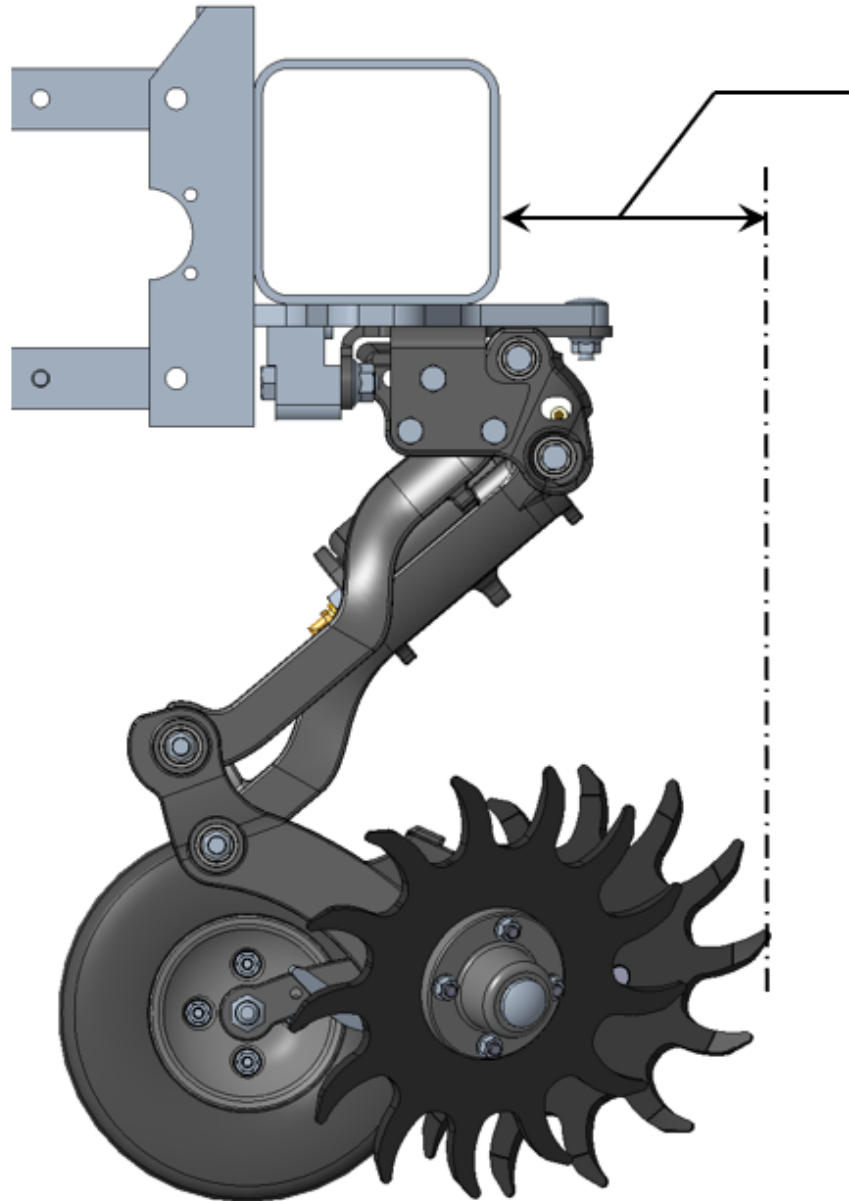
- **Standard position shown**
- **Alternate positions lower the unit by .6875" or 1.375", if required**  
(May require raising toolbar operating height to achieve adequate upward travel)

# Reveal Direct-Mount Mount Kit: (757059)

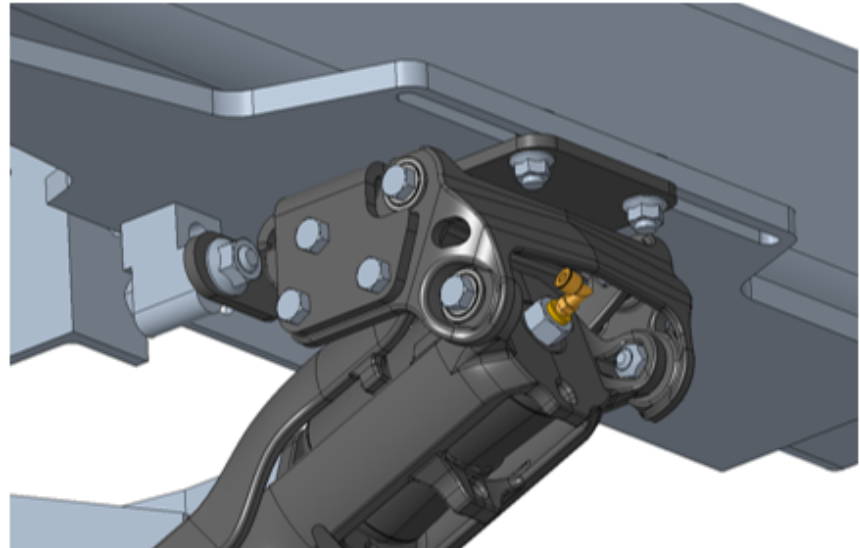


*(Check downforce bracket bolt clearance)*

**Reveal JD 1770NT24 Direct-Mount Mount Kit (For Pivot Rows Only):  
(757071)**



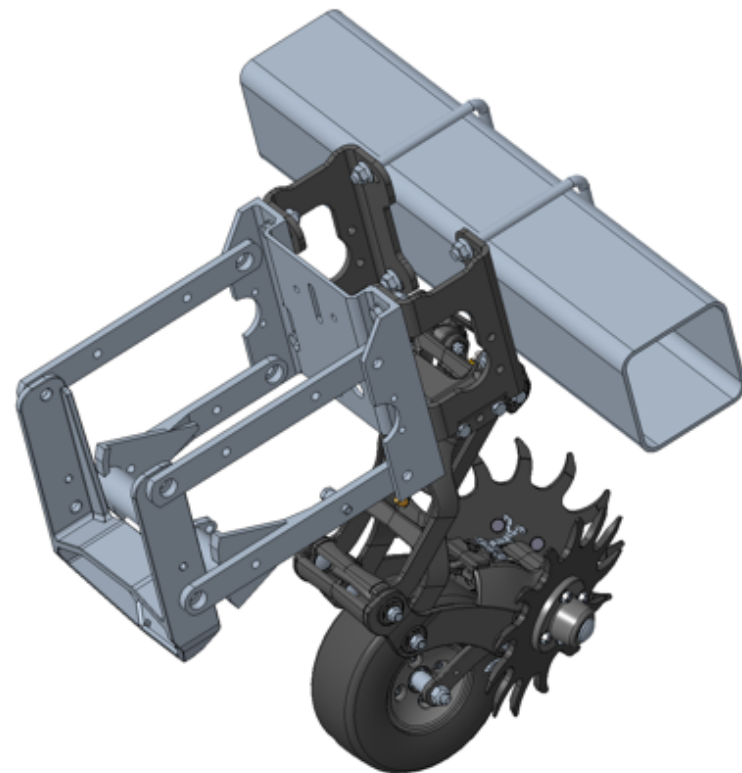
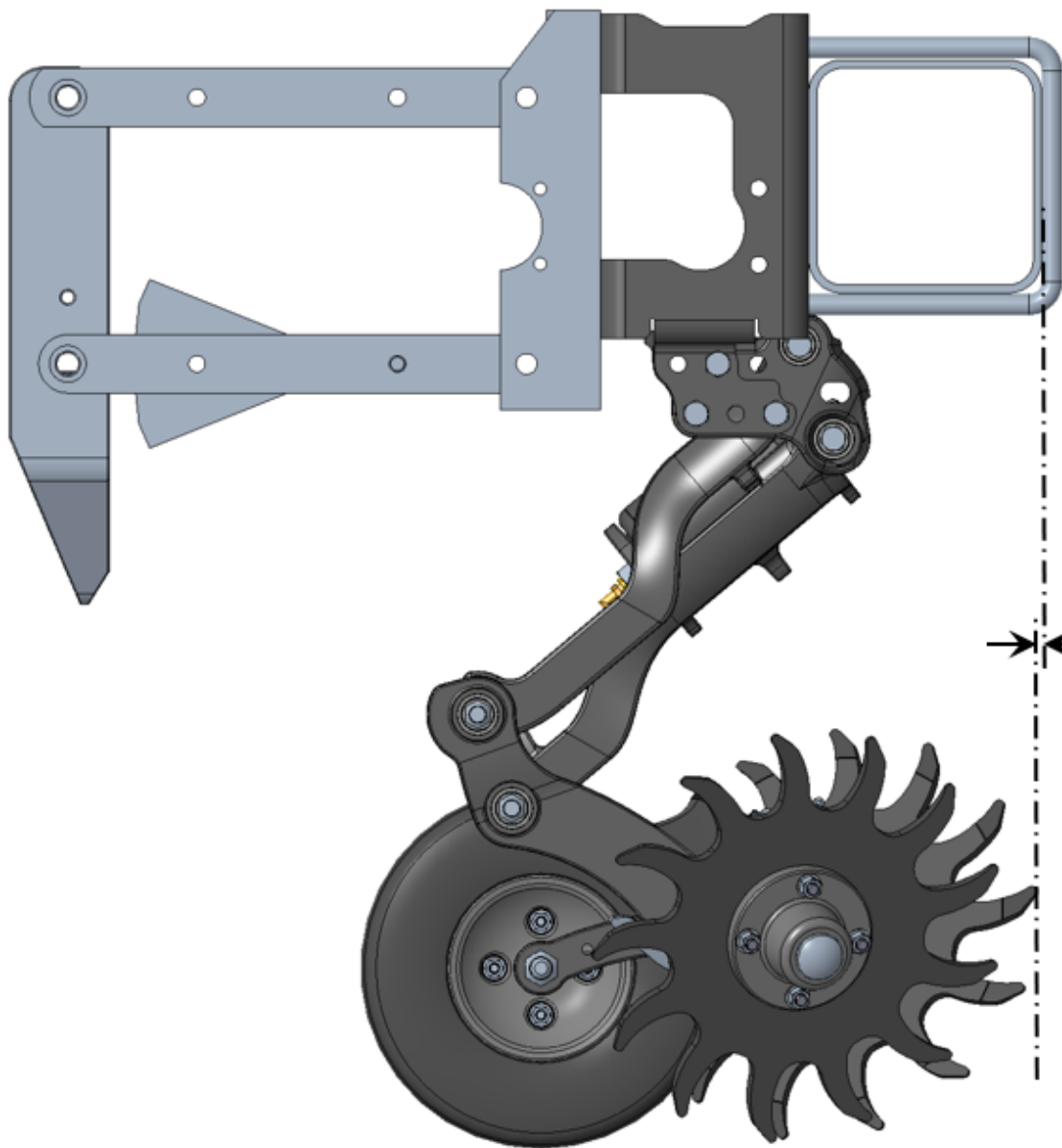
**7.85"**  
*(Planter Lifted)*  
*(1.6" forward of "Standard Position")*



**Utilizes mounting provisions for JD front-mounted fertilizer opener**

# Reveal Universal 6.25" Setback Mount Kit:

(757061)



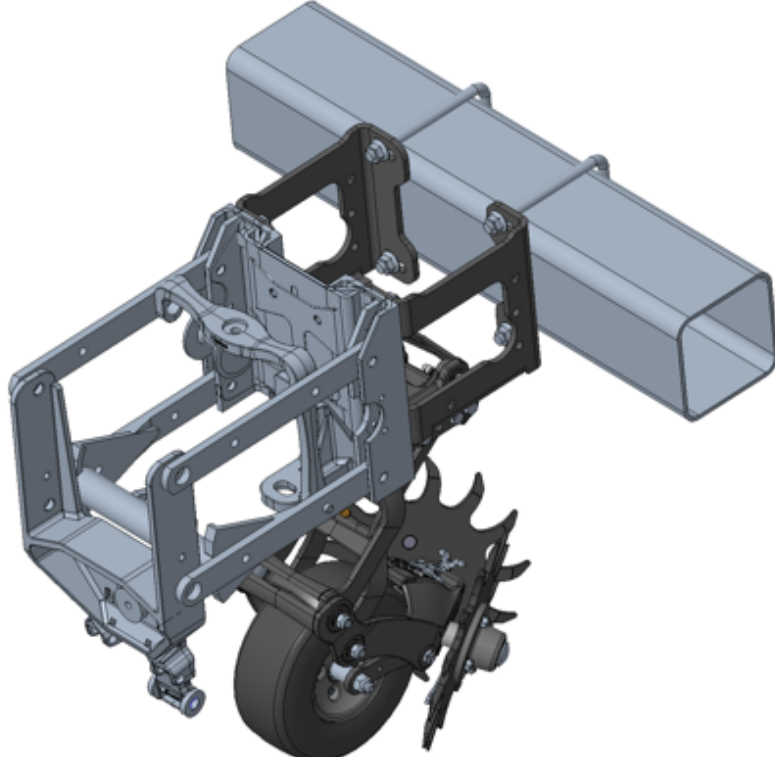
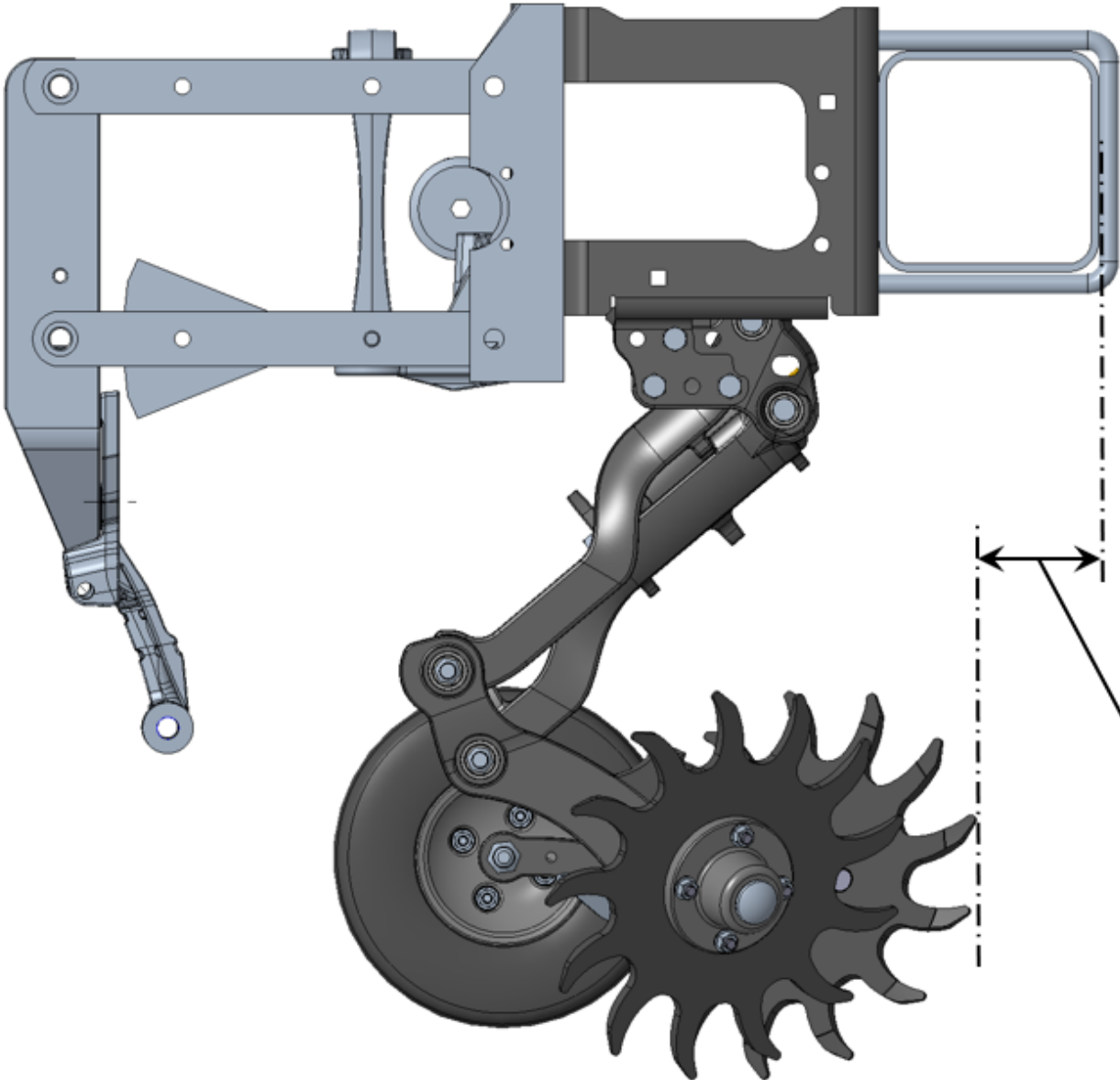
*-Accommodates U-Bolt spacing of most row units*

*-Hex-shaft drive requires jack shaft and jumper chain installation on outside of bracket*

**.125"**

*(Standard Position,  
Planter Lifted)*

# **Reveal Universal 10" Setback Mount Kit: (757063)**



**-Accommodates U-Bolt spacing of most row units**

**-Hex-shaft drive requires jack shaft and jumper chain installation on outside of bracket**

**4.00"**

**(Standard Position,  
Planter Lifted)**

***Reveal Mounting Interface Dimensions:***

