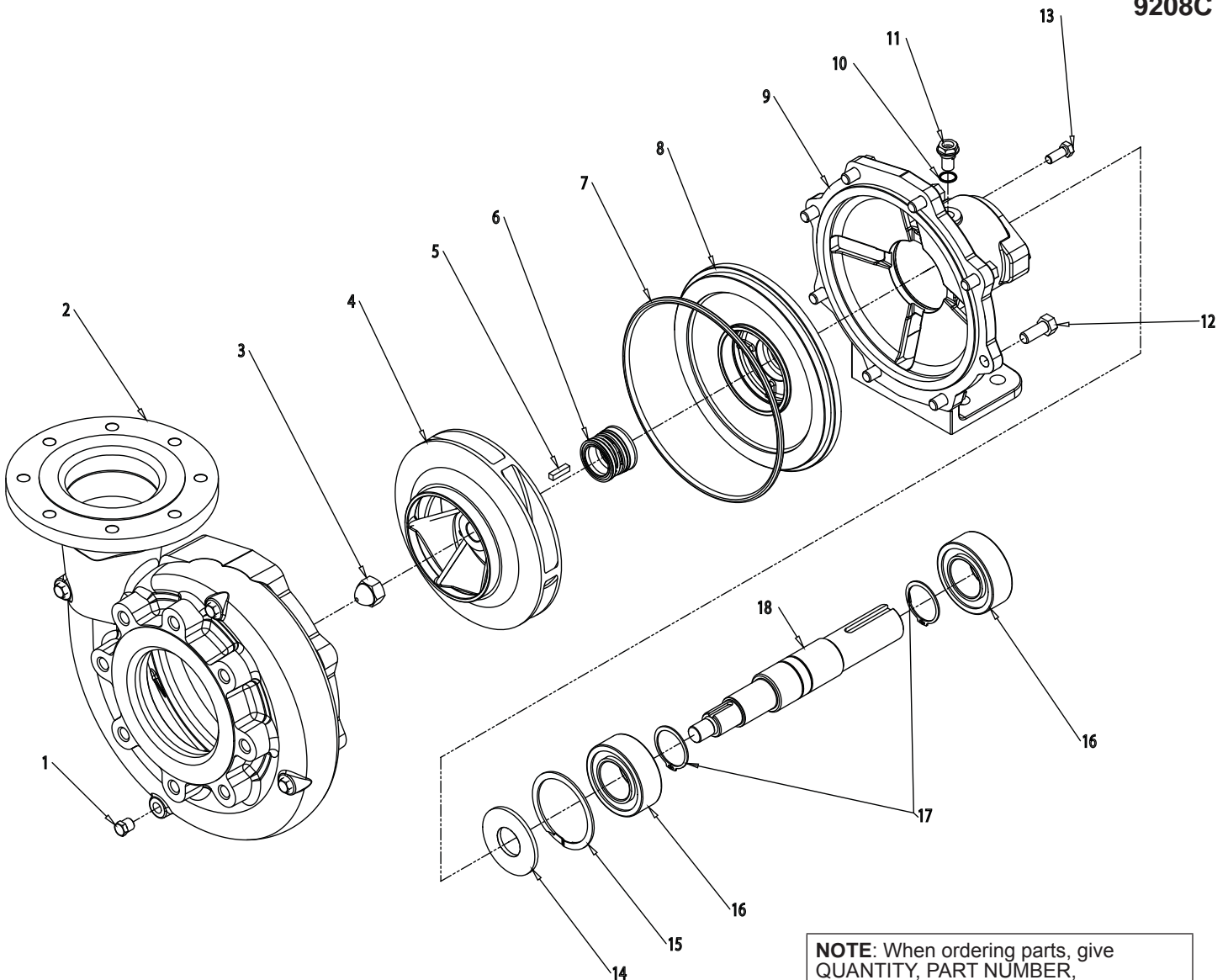


Replacement Parts

The following drawings show the pumps and their replacement parts. **Only genuine replacement parts should be used. Failure to follow this warning can result in damage to property, serious injury or death.** If the pump malfunctions or is defective, it should be sent back to Hypro for service.

9208C



Mechanical Seal Kit #3430-0604
Includes Items 6 & 7

Bearing Kit #3430-0671
Includes Items 14, 15, 16, 17

NOTE: When ordering parts, give QUANTITY, PART NUMBER, DESCRIPTION, and COMPLETE MODEL NUMBER. Reference number are used ONLY to identify part in the drawing and are NOT to be used as order numbers.

Ref. No.	Qty. Req'd.	Part No.	Description
1	4	2406-0039	Drain Plug
2	1	0150-9308C	Pump Casting
3	1	2253-0010	Impeller Nut
4	1	0400-9308S	Impeller
5	1	1610-0058	Key
6	1	3430-0604	Mechanical Seal
7	1	1721-0208	O-Ring
8	1	0755-9300C	Seal Plate
9	1	0757-9300C	Pedestal

Ref. No.	Qty. Req'd.	Part No.	Description
10	1	1720-0209	O-Ring
11	1	2300-0040	Plug
12	8	2210-0131	Cap Screw
13	2	22771	Screw
14	1	2270-0093	Slinger
15	1	1820-0040	Retaining Ring
16	2	2005-0006	Bearing
17	2	1810-0001	Retaining Ring
18	1	0500-9208	Shaft