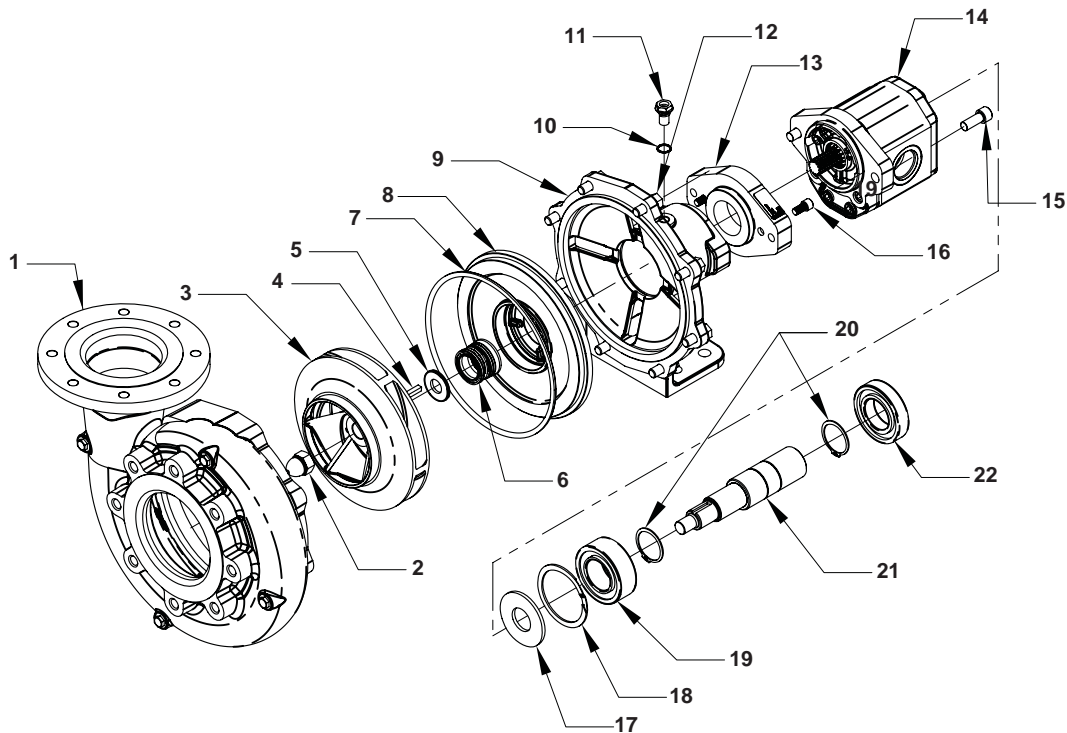


## Replacement Parts

The following drawings show the pumps and their replacement parts. **Only genuine replacement parts should be used. Failure to follow this warning can result in damage to property, serious injury or death.** If the pump malfunctions or is defective it should be sent back to Hypro for service. t

### 9308C-PM15 & 9308C-GM25



#### Mechanical Seal Kit #3430-0604

Includes Items 6 & 7

#### Bearing Kit #3430-0671

Includes Items 17, 18, 19, 20 & 22

**NOTE:** When ordering parts, give QUANTITY, PART NUMBER, DESCRIPTION, and COMPLETE MODEL NUMBER. Reference number are used ONLY to identify part in the drawing and are NOT to be used as order numbers.

Ref. No.	Qty. Req'd.	Part No.	Description
1	1	0150-9308C1	Pump Casing, 9308
2	1	2253-0010	Acorn Nut
3	1	0400-9308S	Impeller
4	1	1610-0058	Key, 1/4 Square
5	1	2270-0094	Washer
6	1	3430-0604	Mechanical Seal Kit
7	1	1721-0208	O-Ring
8	1	0755-9300C	Seal Plate
9	1	0757-9300C	Pedestal
10	1	1720-0209	O-Ring
11	1	2300-0040	Plug, 5/8" Black Poly
12	8	2210-0131	Cap Screw

Ref. No.	Qty. Req'd.	Part No.	Description
13	1	0750-9308	Flange Adapter, A to B
14	1	2500-0129	Hydraulic Motor (9308C-GM25)
14	1	2500-0025	Hydraulic Motor (9308C-PM15)
15	2	22503	Screw (9308-GM25, -PM15)
16	2	2220-0004	Screw (9308-GM25, -PM15, -CX)
17	1	2270-0093	Slinger
18	1	1820-0040	Retaining Ring
19	1	2005-0006	Double Row Ball Bearing
20	2	1810-0001	Retaining Ring
21	1	0500-9308	Shaft (9308C-GM25, -PM15, -CX)
22	1	2007-0063	Bearing (9308C-GM25, -PM15, -CX)